

5/12/2016

Tyler Truss
720 Pioneer Trace #100
Pendleton, IN 46064
Attn: Jason Tello

RE: Fork extension
CRE Proj. No.: 16.413.12

Dear Jason:

Clark Reder Engineering Inc. has completed its structural review and assessment of the adjustable steel fork end. The fork end extends from the chord a maximum of 1.948" to create angles between sticks of truss. The angle will vary depending on the truss span and fork extension. The fork plates will be oriented such that the plates are flat in the horizontal plane. The fork end was reviewed for use with the following types of truss:

- 20.5"x20.5" Medium Duty Truss
- 20.5"x30" Super Duty Truss
- 24"x14" GT Truss

We have determined that the fork end can be used to create horizontal circles and/or arches with the following limitations:

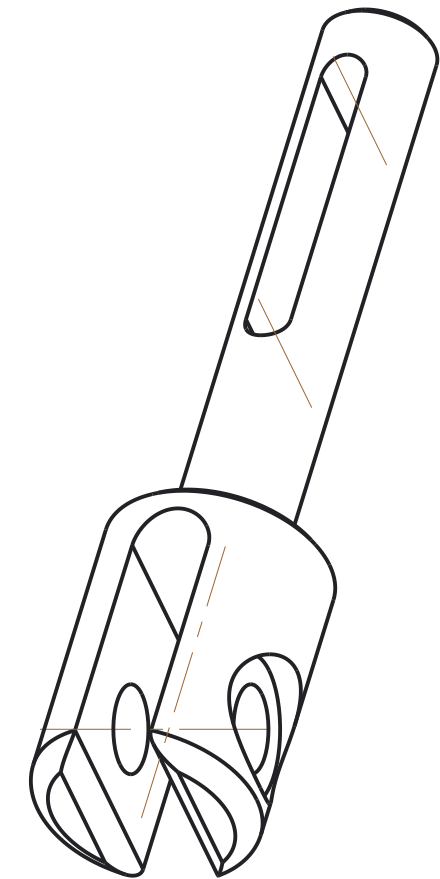
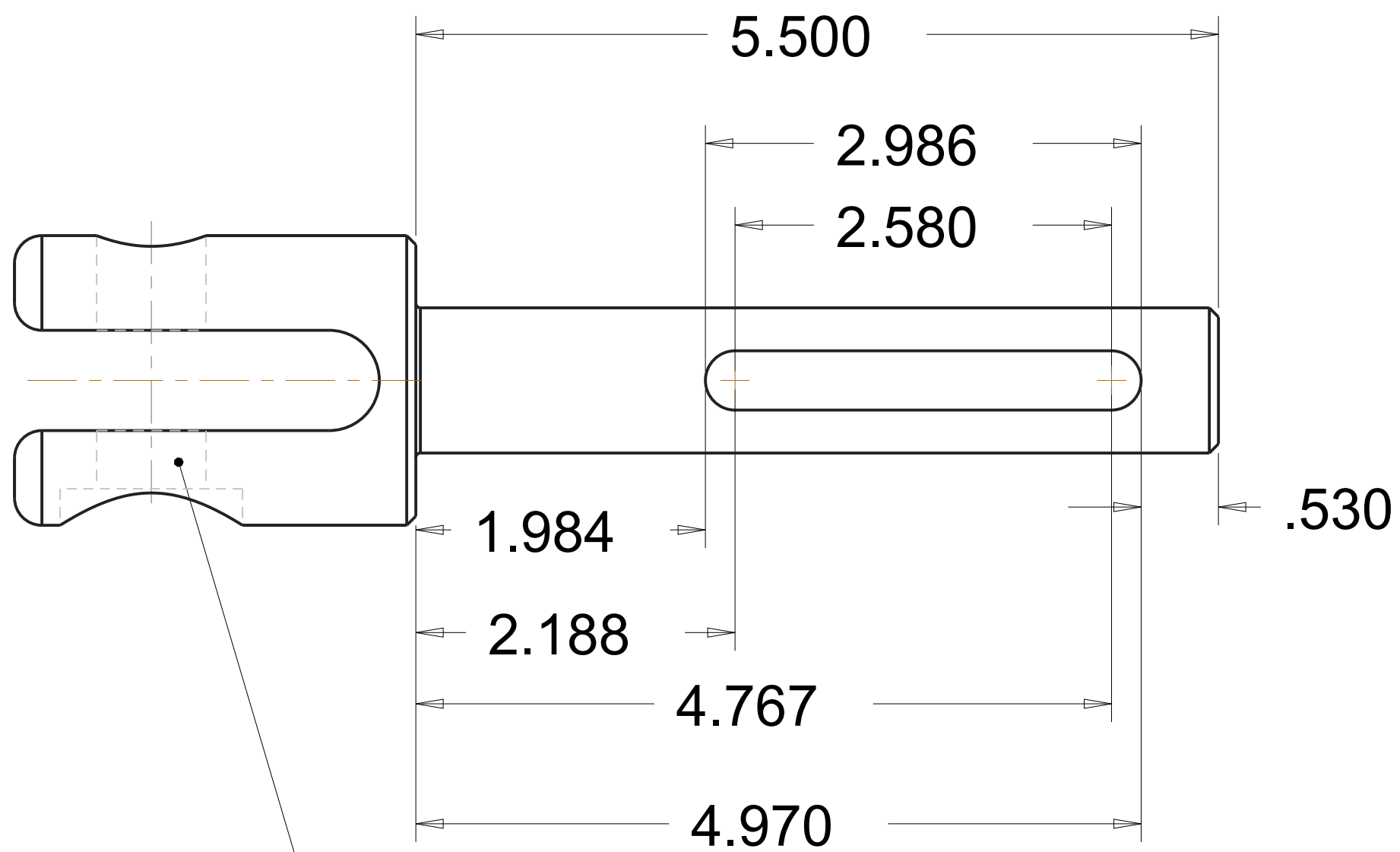
1. The capacity of the truss will be limited to 50% of the published load capacity when supported at every other truss to truss intersection.
2. The full load span capacity of the truss can be utilized when the truss is supported at the end of each stick or at each intersection.
3. The truss should not be allowed to span more than (2) sticks unsupported.

We trust this information is sufficient for your needs at this time. Please do not hesitate to contact our office should you have any questions or require additional information.

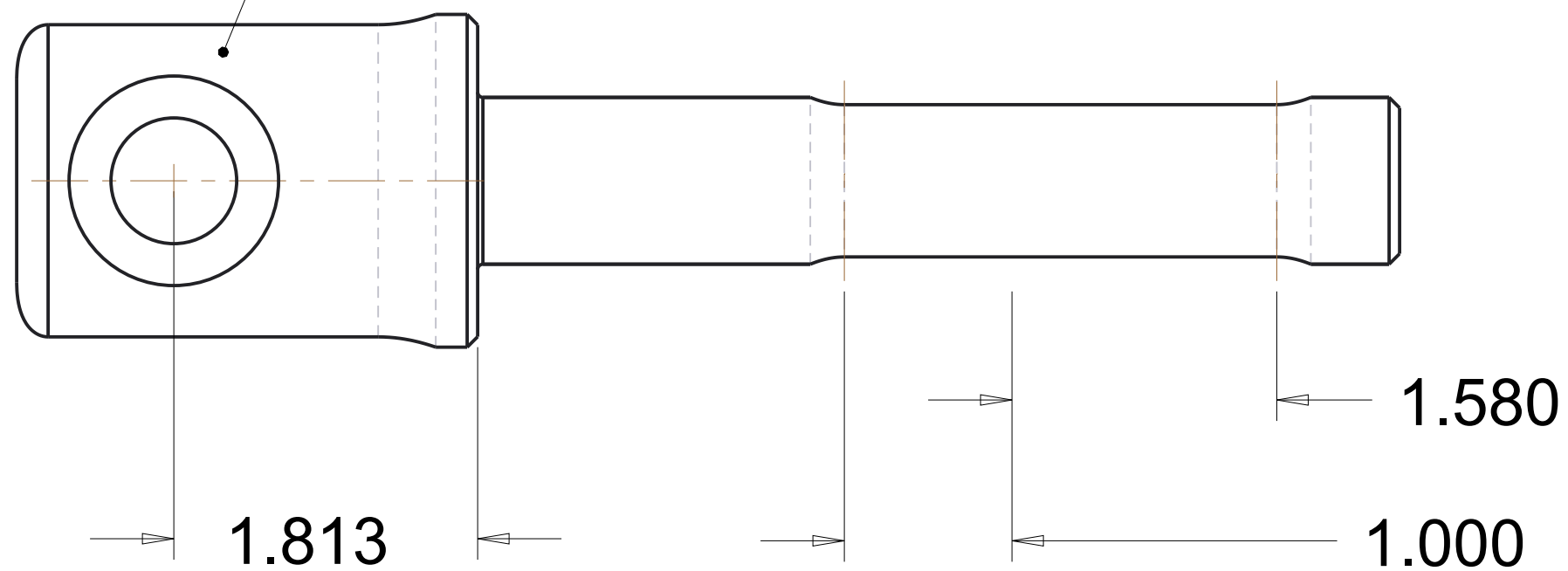
Regards,
Clark-Reder Engineering, Inc.



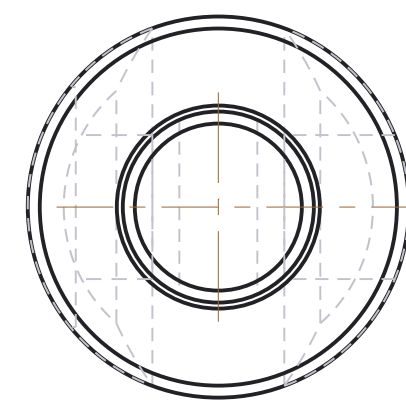
Jeffrey M. Reder, P.E.
OH Registration No. 67450



STAMP "3.393" (1) SIDE ONLY



1.000
LOCATION OF
LOCKING BOLTS



SLIDE MOTION:
 $1.813 + 1.580 = 3.393"$

TYLER TRUSS SYS. INC.

TITLE

SLIDING FEMALE FORKEND
RANGE 3.393"

SIZE

CAGE CODE

DWG NO

REV

C

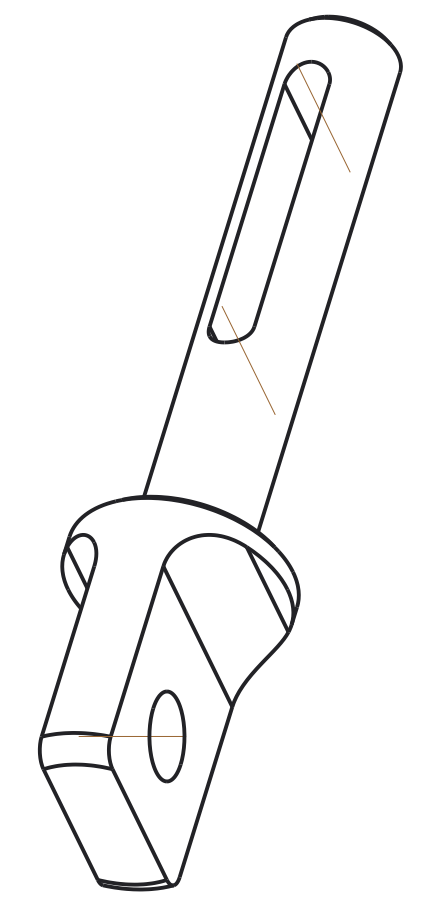
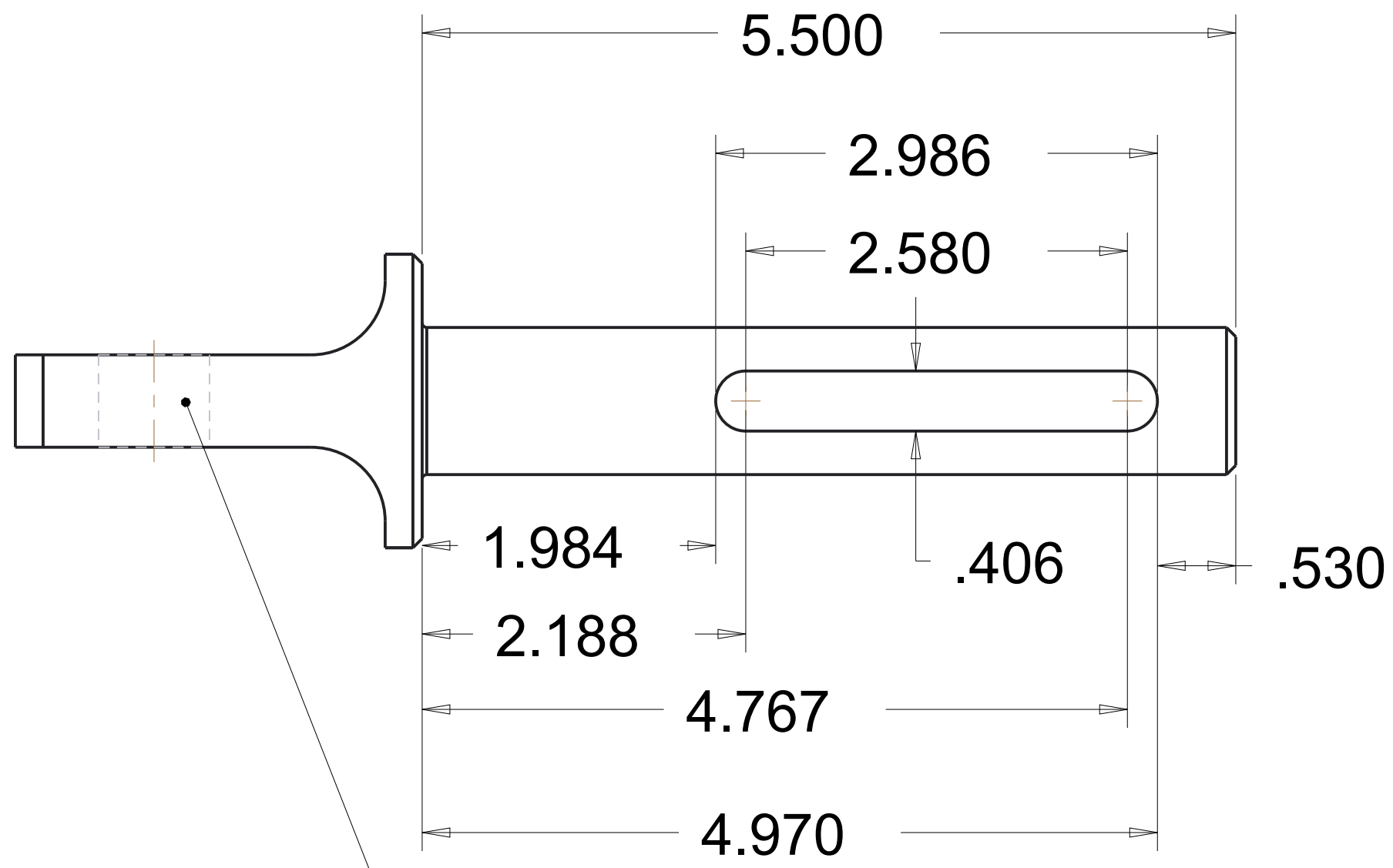
SF-3393-F

A

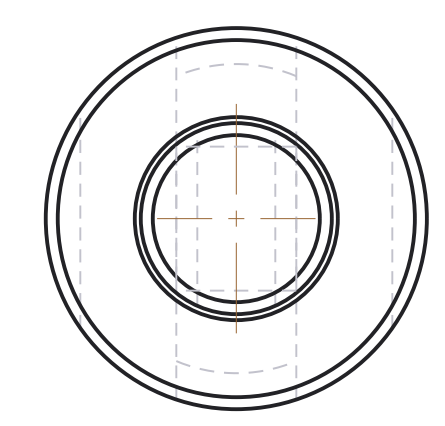
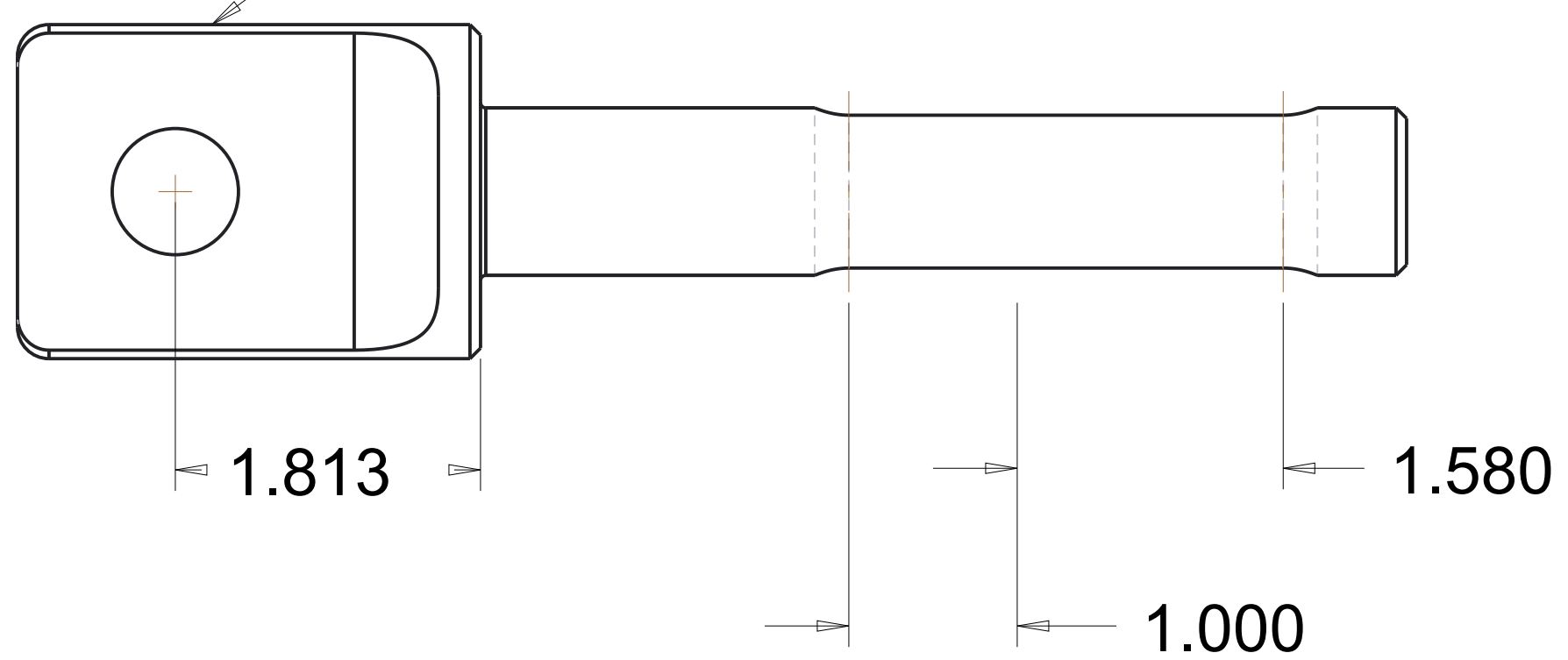
SCALE: 0.500

UNIT WT: [.2]

SHEET 1 OF 1



STAMP "3.393" (1) SIDE ONLY



1.000
LOCATION OF
LOCKING BOLTS

SLIDE MOTION"
 $1.813 + 1.580 = 3.393$ "

TYLER TRUSS SYS. INC.			
TITLE			
SLIDING MALE FORKEND 3.393" RANGE			
SIZE	CAGE CODE	DWG NO	REV
C		SF-3393-M	A
SCALE: 0.500		UNIT WT: [.2]	SHEET 1 OF 1
